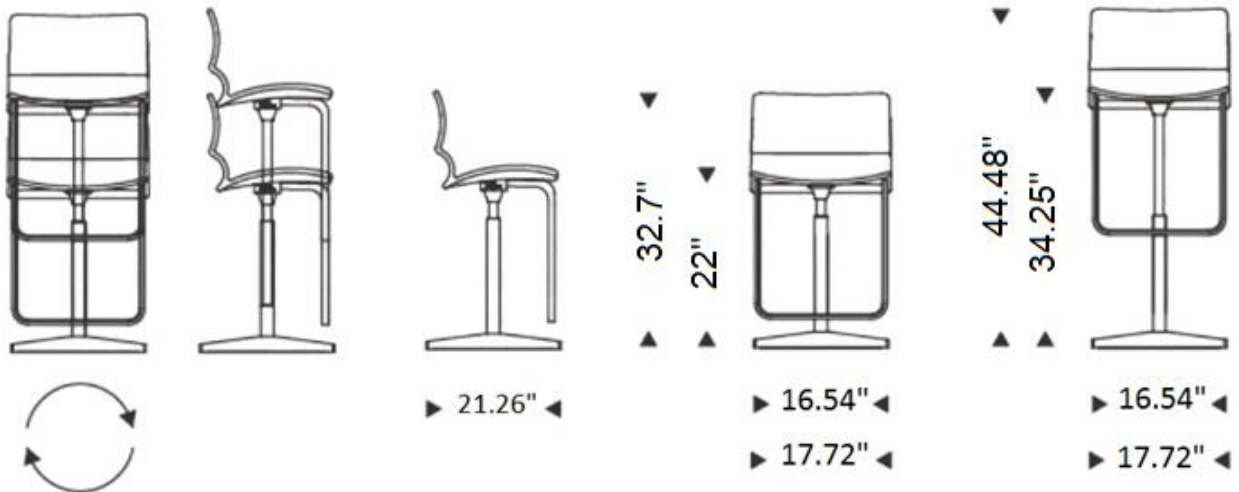


OTTO



"OTTO" is a swivel stool that adjusts in height with square or round in chromed steel or black embossed lacquered steel. Sculpted using solid steel in chrome finish, the square base add an artistic element to the look while providing support. The chair frame is made of wood. The seat can be in natural beech or wenghe stained beech wood or covered in leather.

Available in fabric, synthetic leather, leather or soft leather



SEAT FINISHES

leather



42 FANGO 47 OYSTER 48 LINO 49 CENERE 50 TORTORA 52 SMOKE 53 ARDESIA



55 MORA 59 CANNA DI FUCILE 60 BRUNO 61 LATTE 67 AVORIO 70 BORDEAUX 71 BIANCO



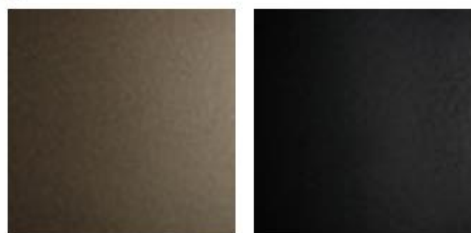
73 NERO 74 CAPRI 76 AMARANTO 80 OTTANIO 84 BRONZO 85 RESINA 88 TABACCO



89 ROSSO CORSA 91 TESTA DI MORO 92 LOBSTER 93 ARTICO stitching SILVER 95 BLUE OCEANO stitching SILVER 97 PANNA

BASE FINISHES

metal



GFM11 titanium embossed GFM73 black embossed